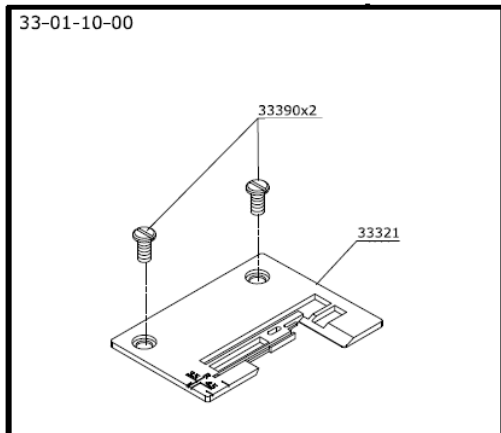
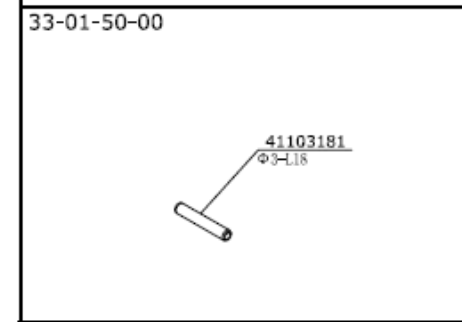
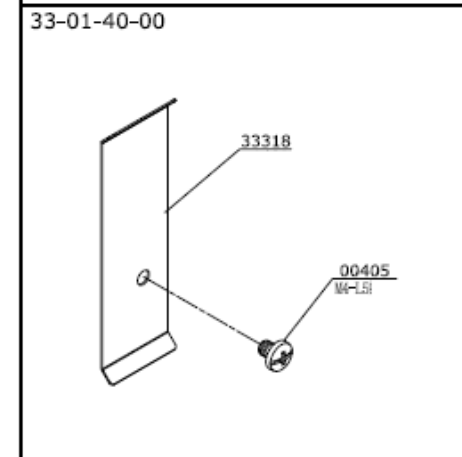
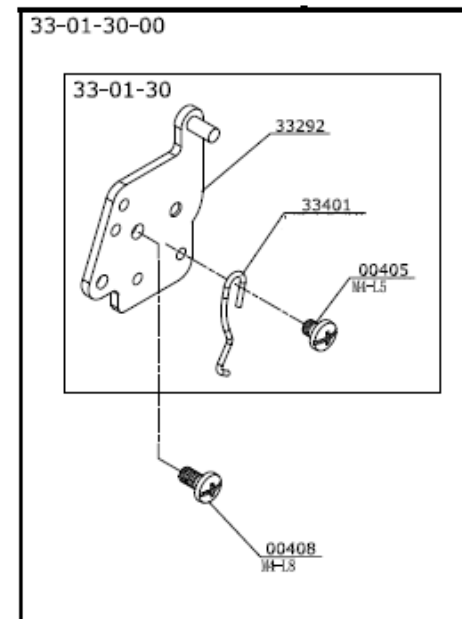
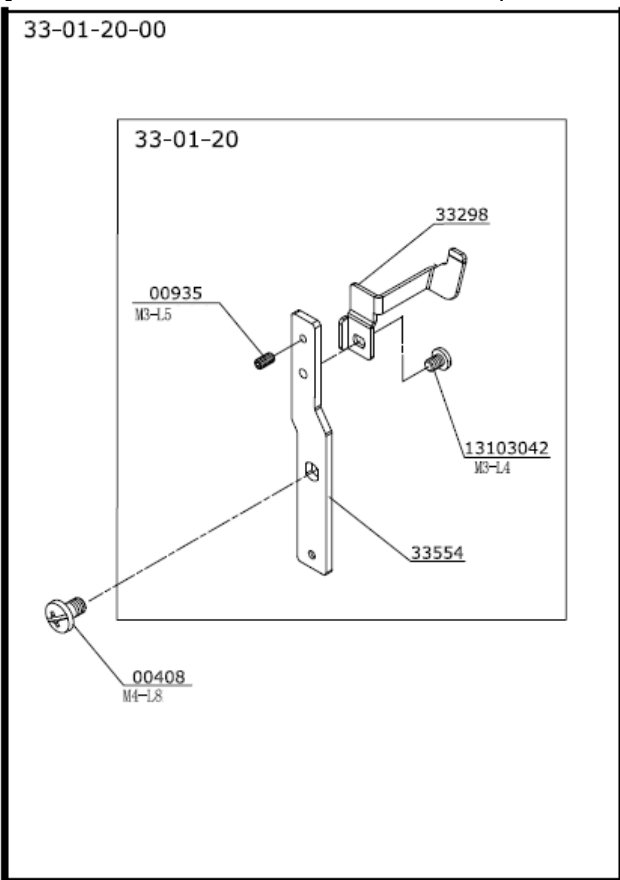
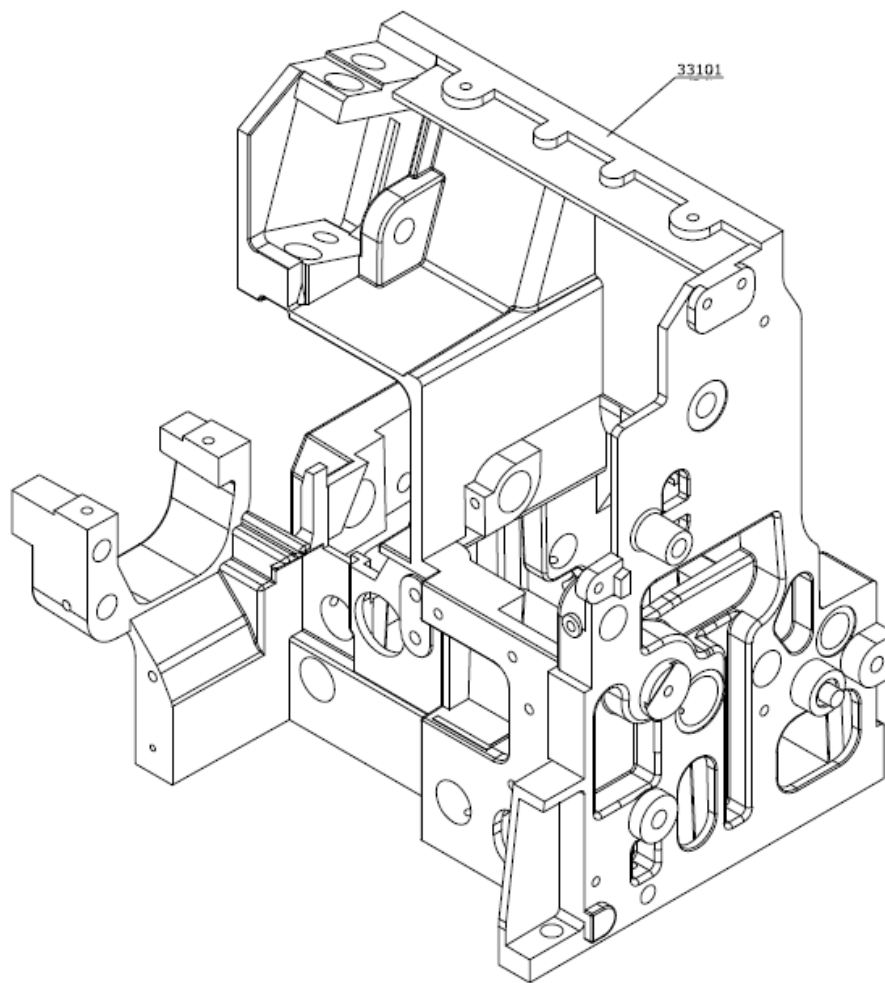


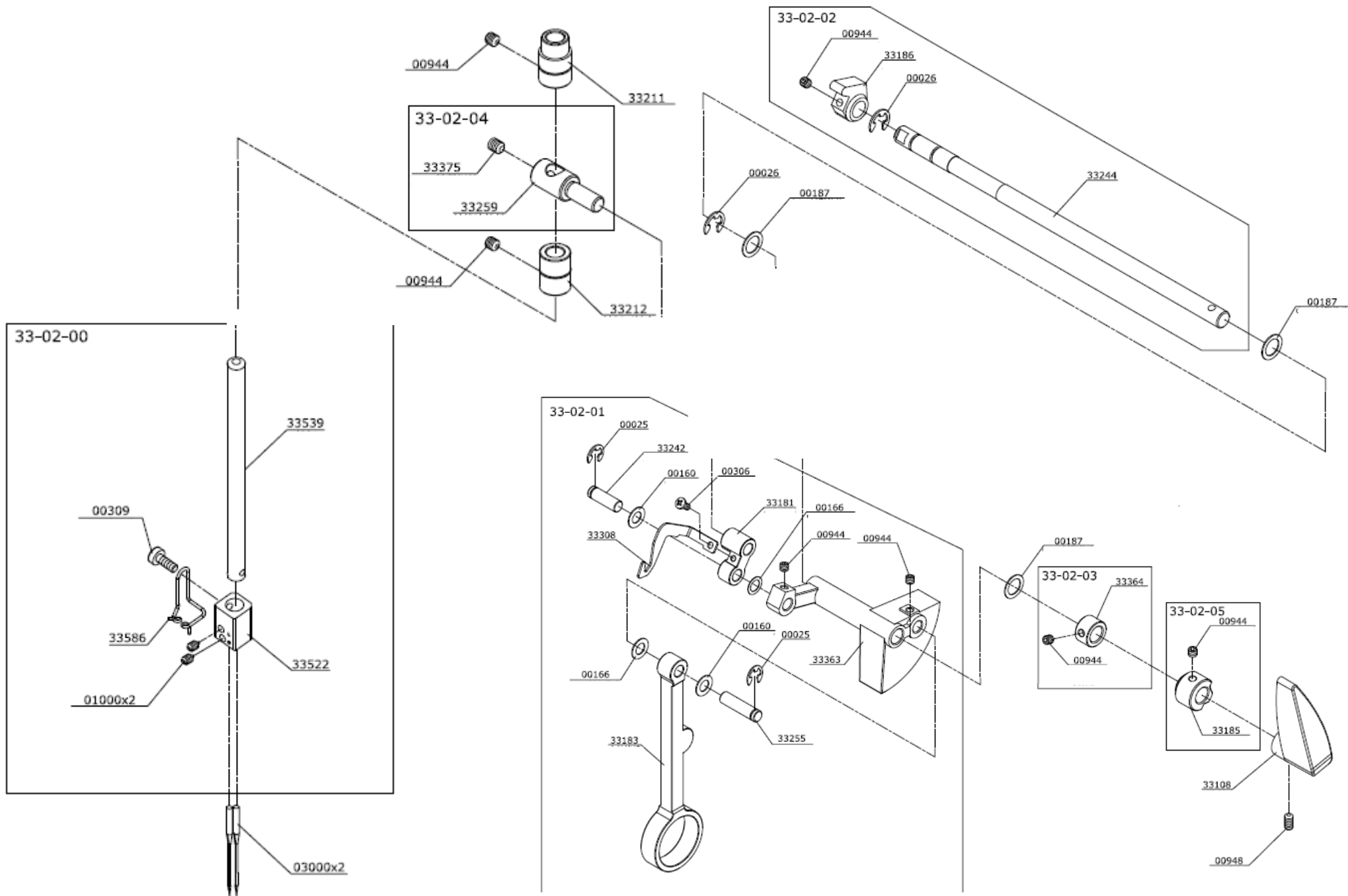
texi Tegra 4

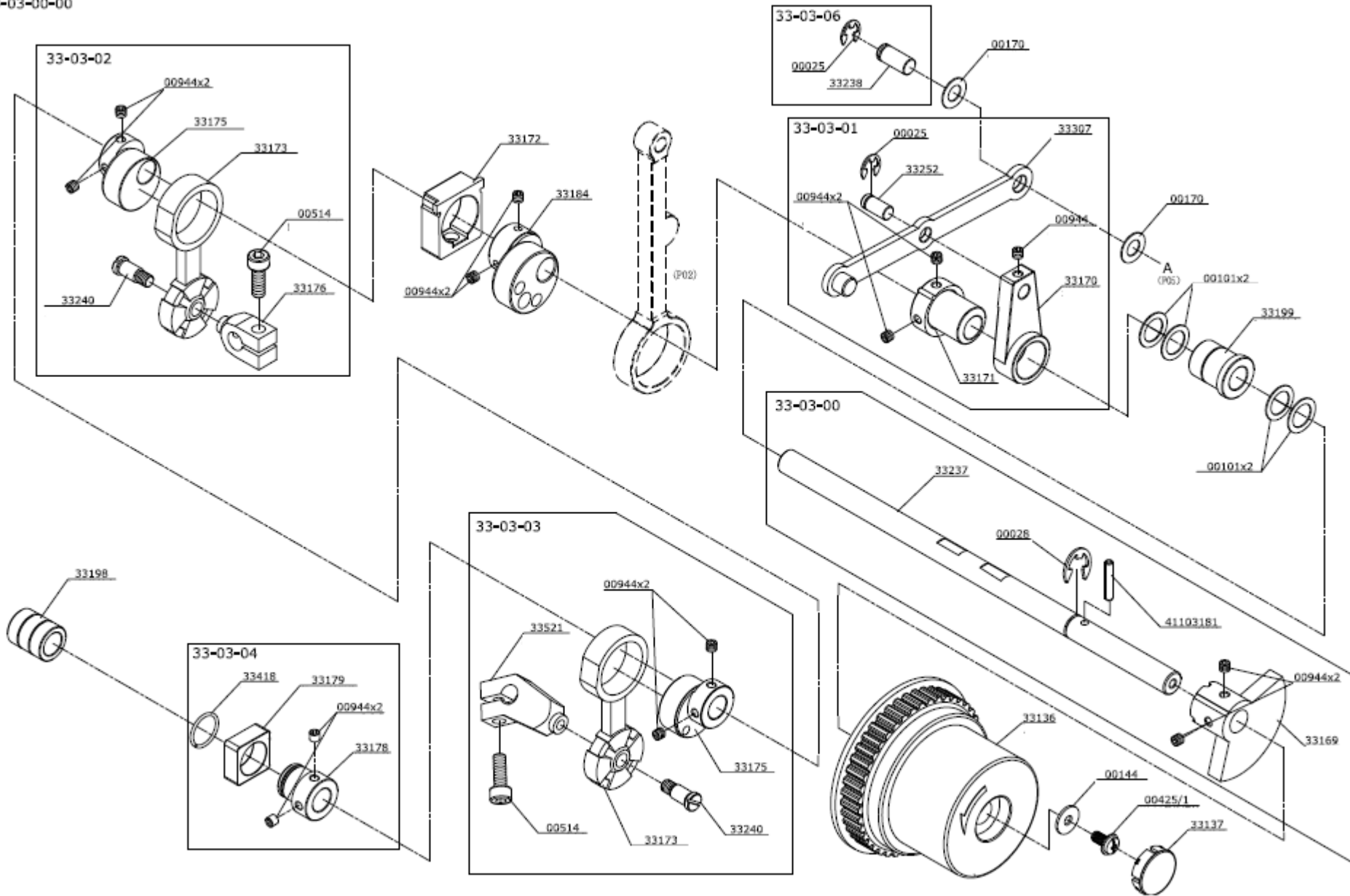
PARTS BOOK



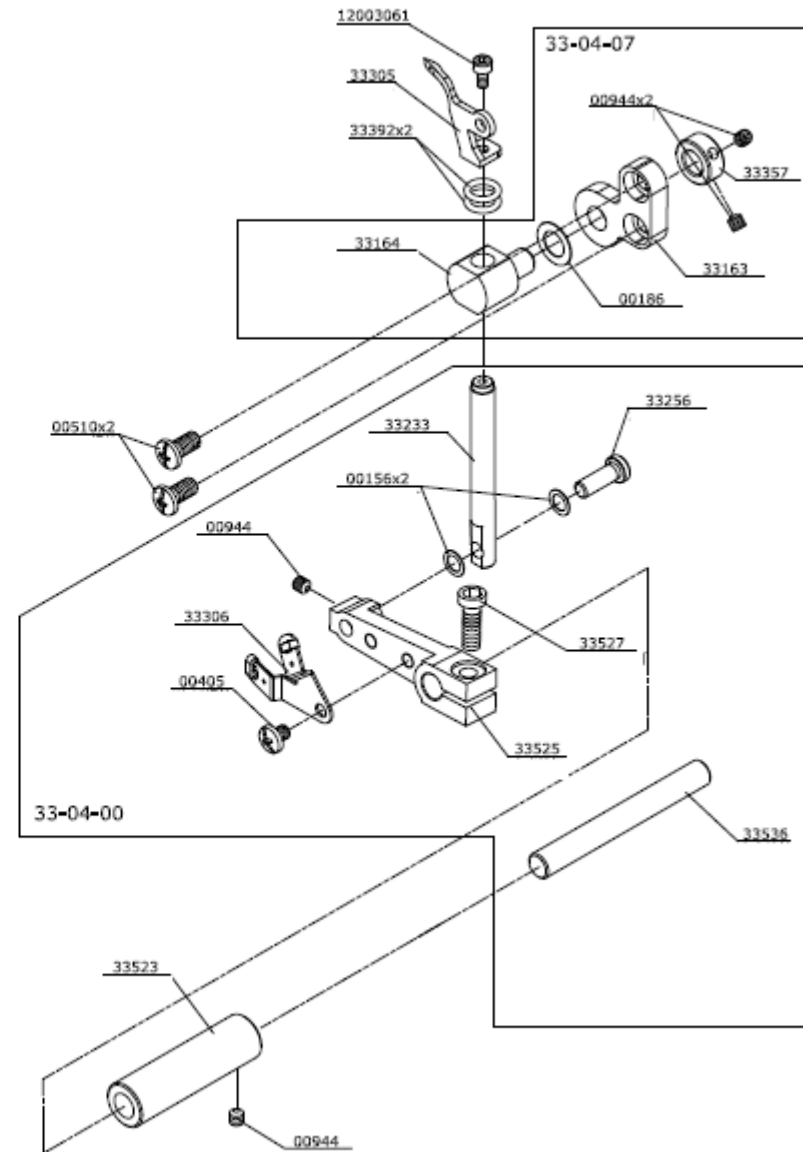
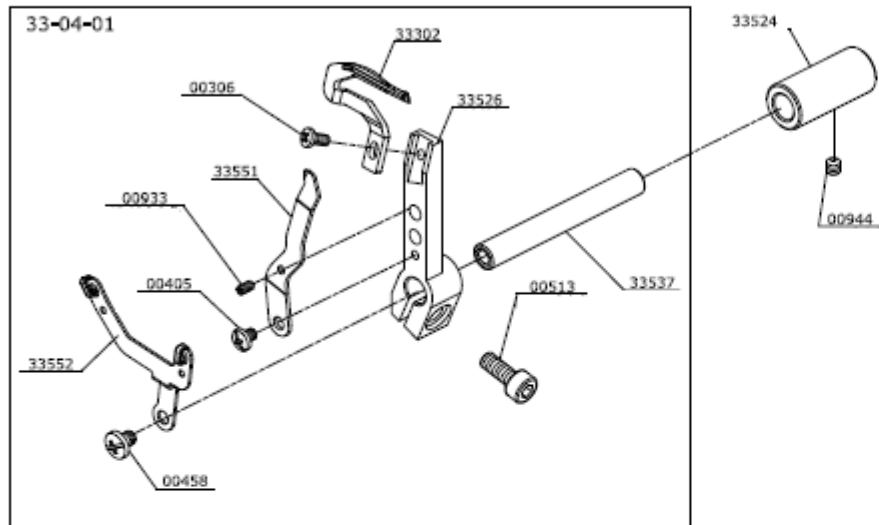
33-01-00-00

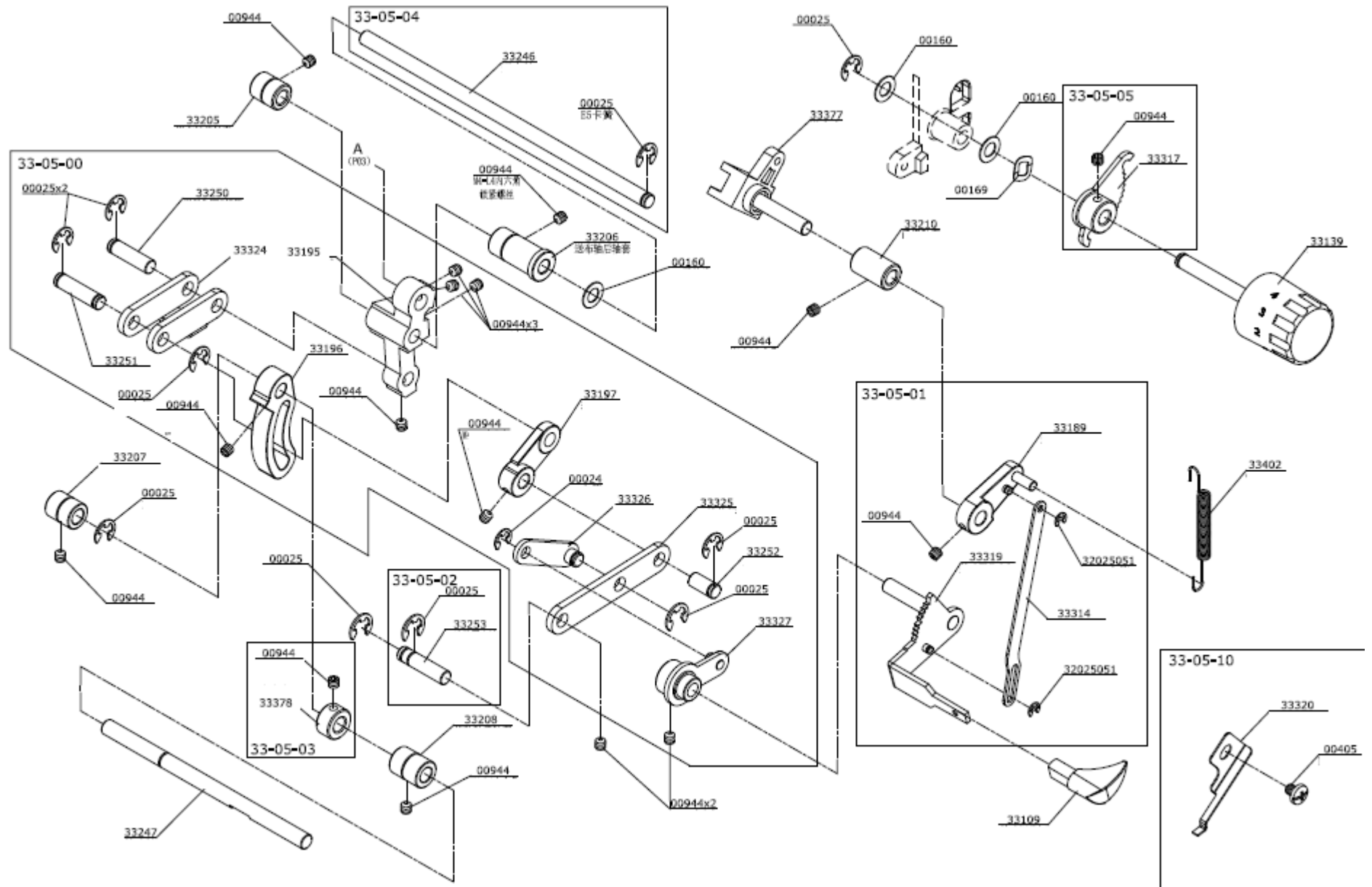




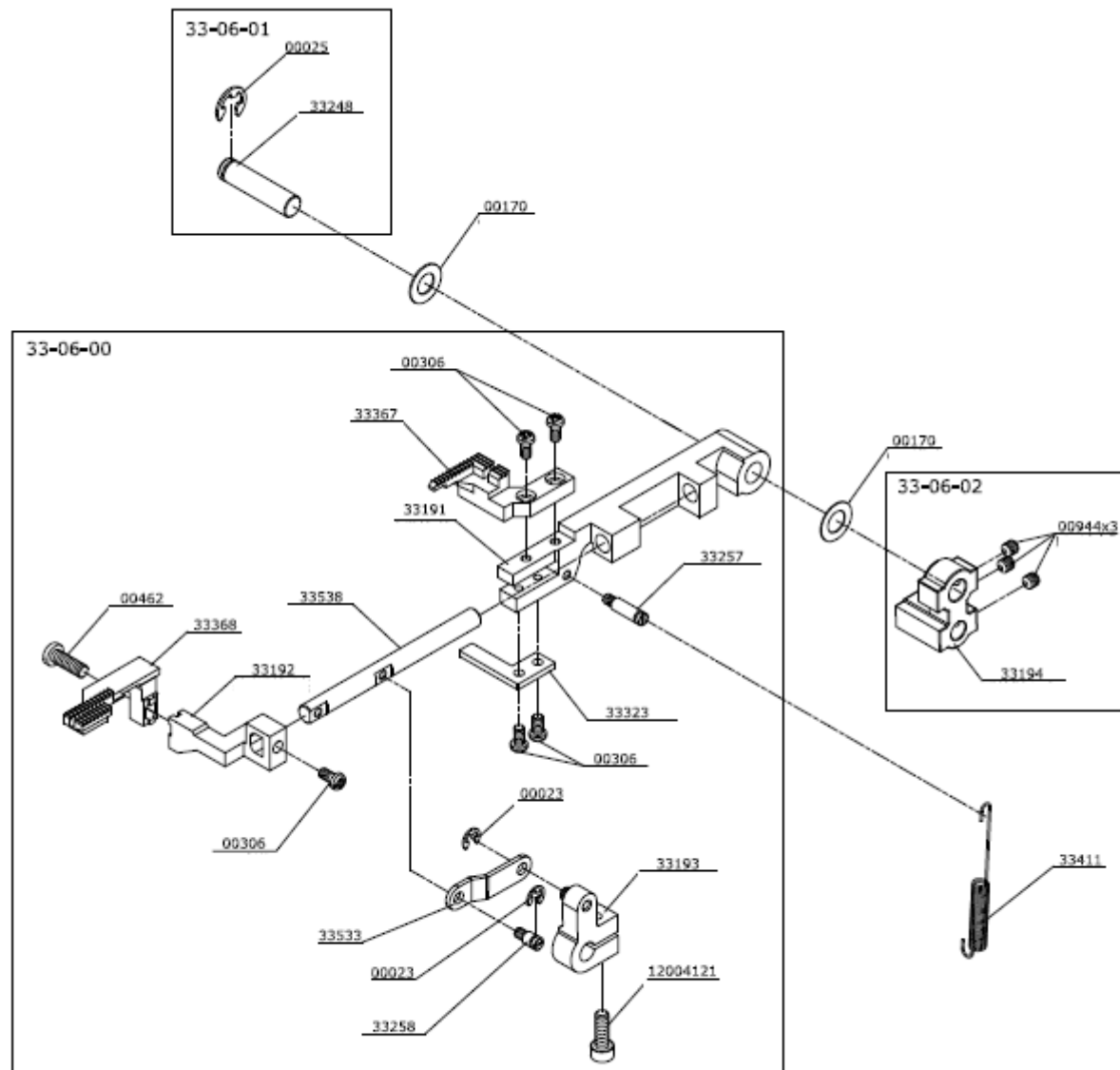


33-04-00-00

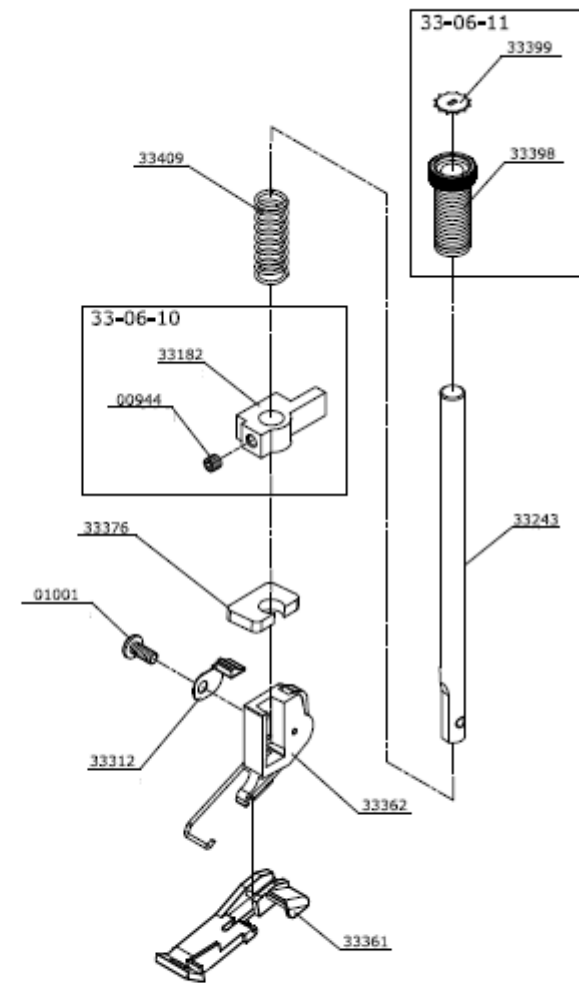




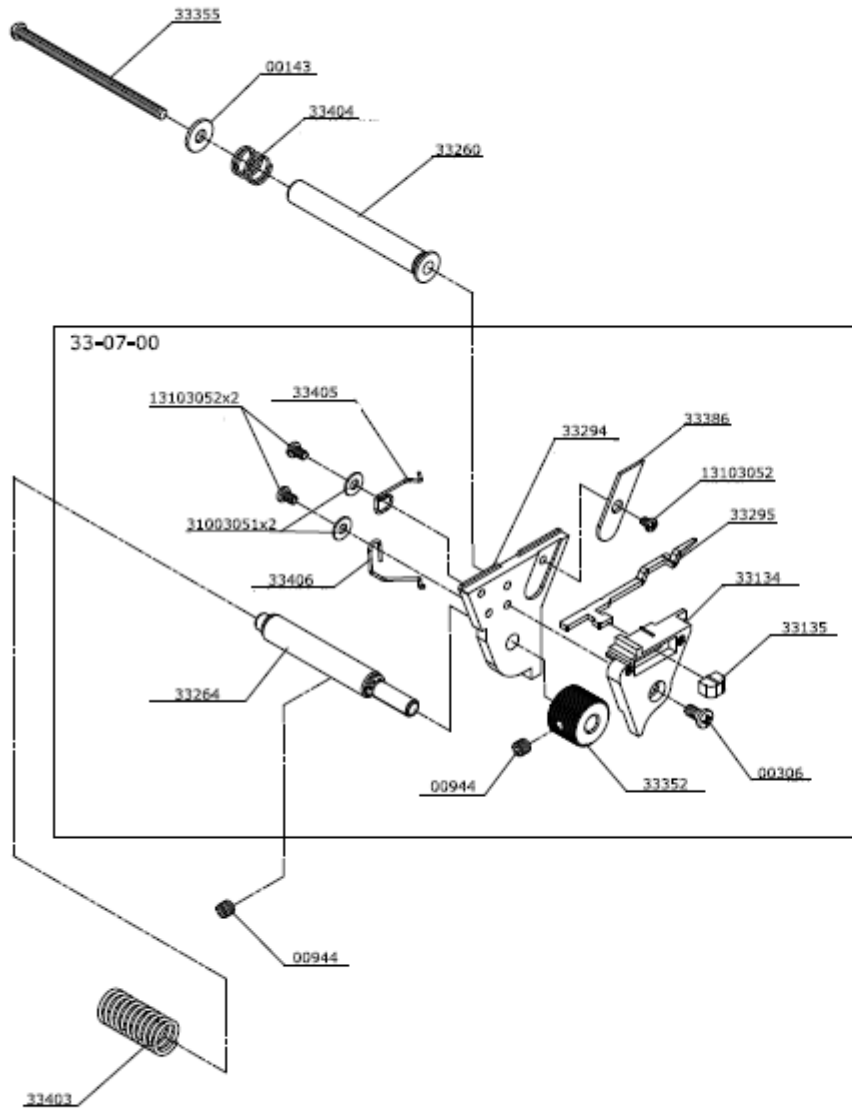
33-06-00-00



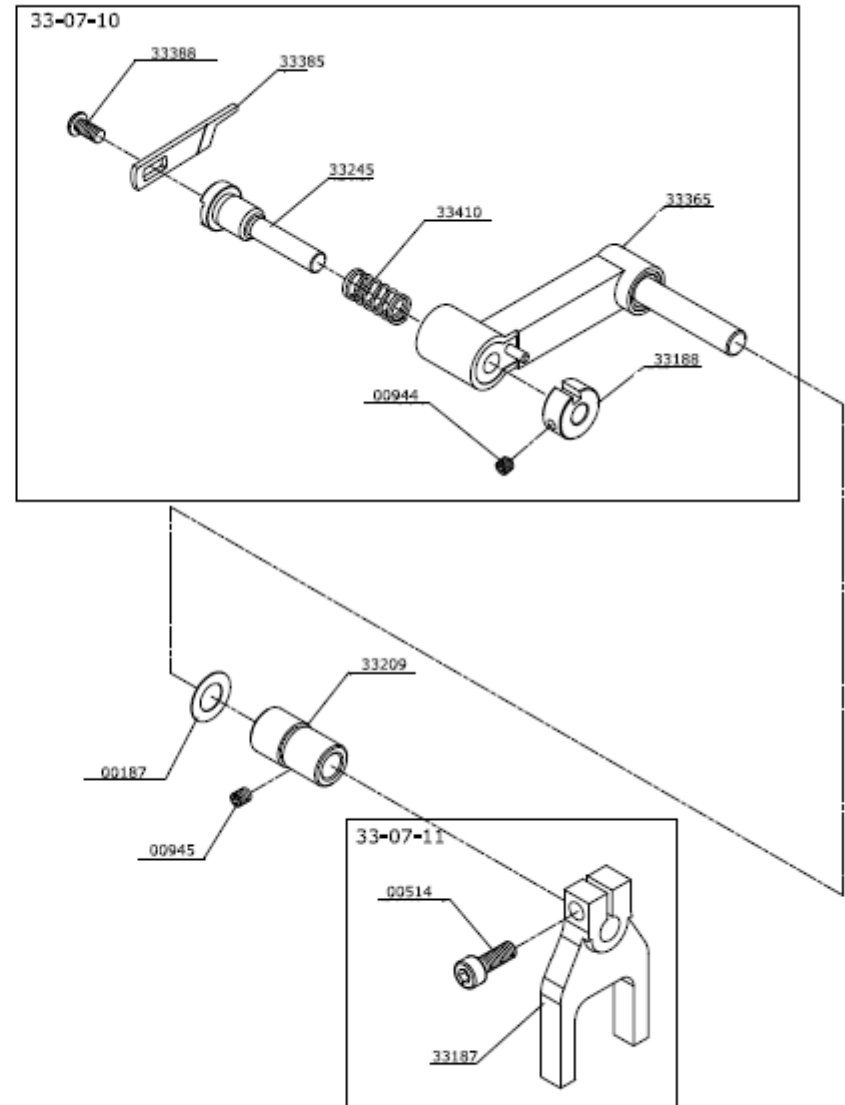
33-06-10-00

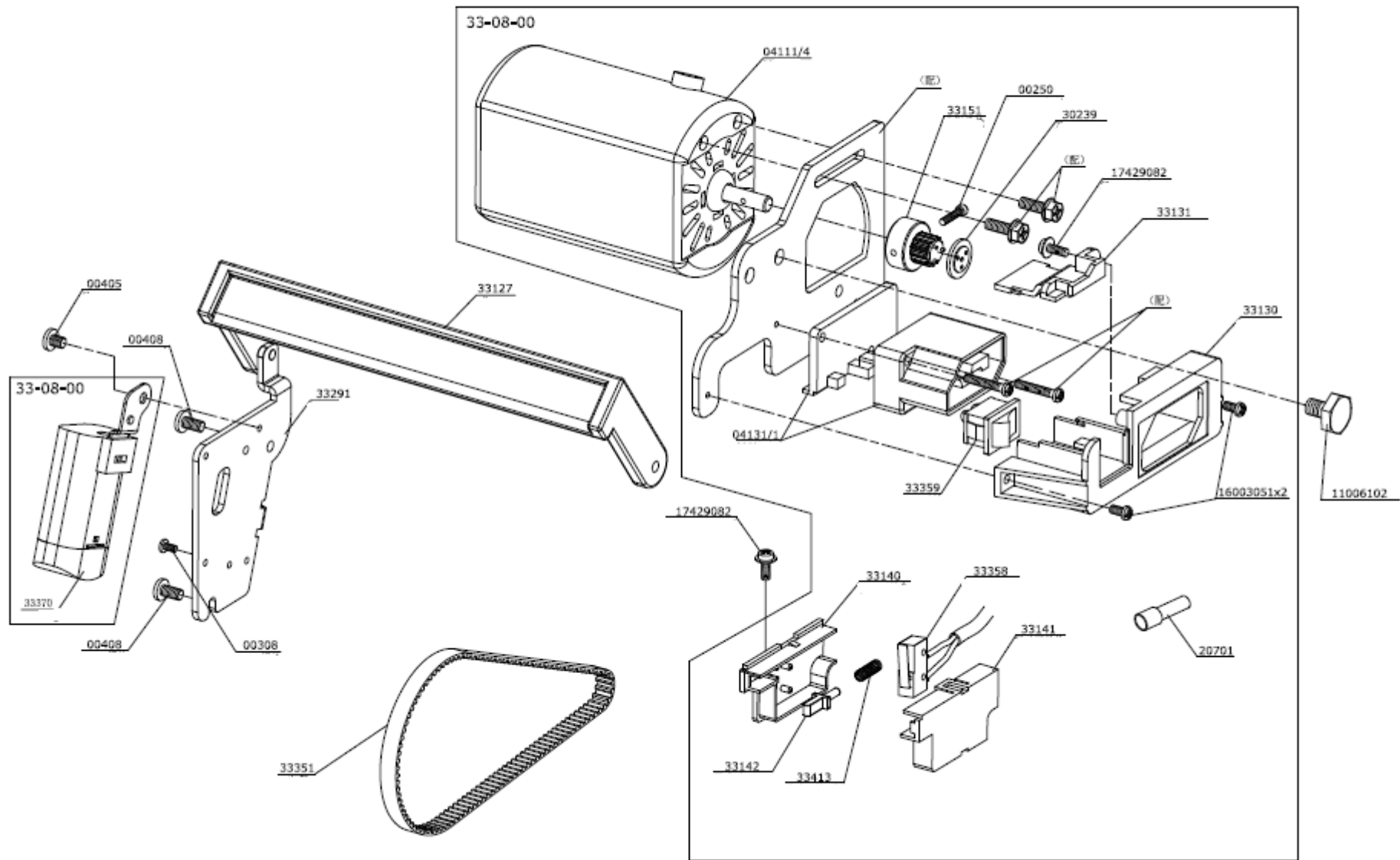


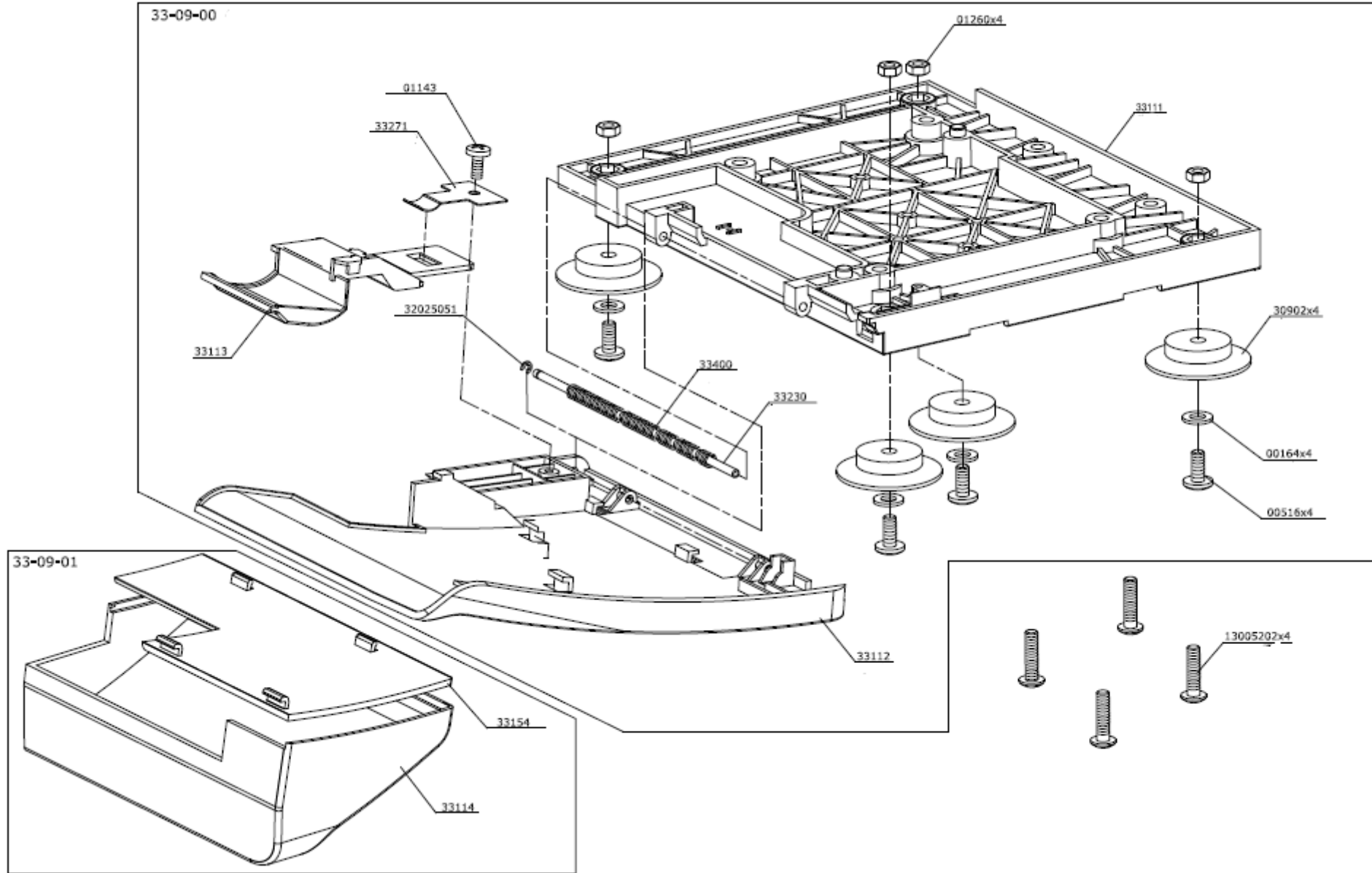
33-07-00-00



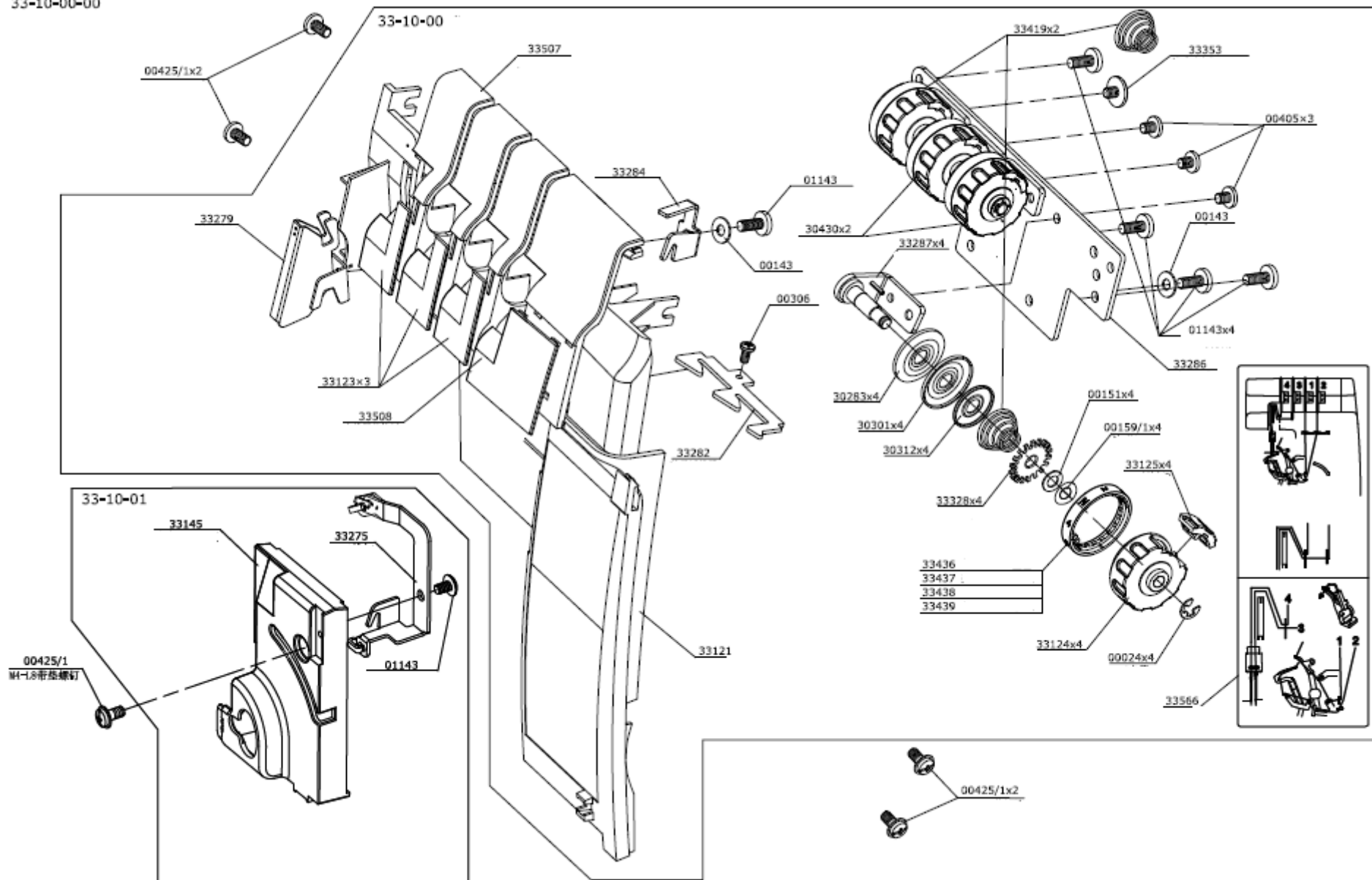
33-07-10-00



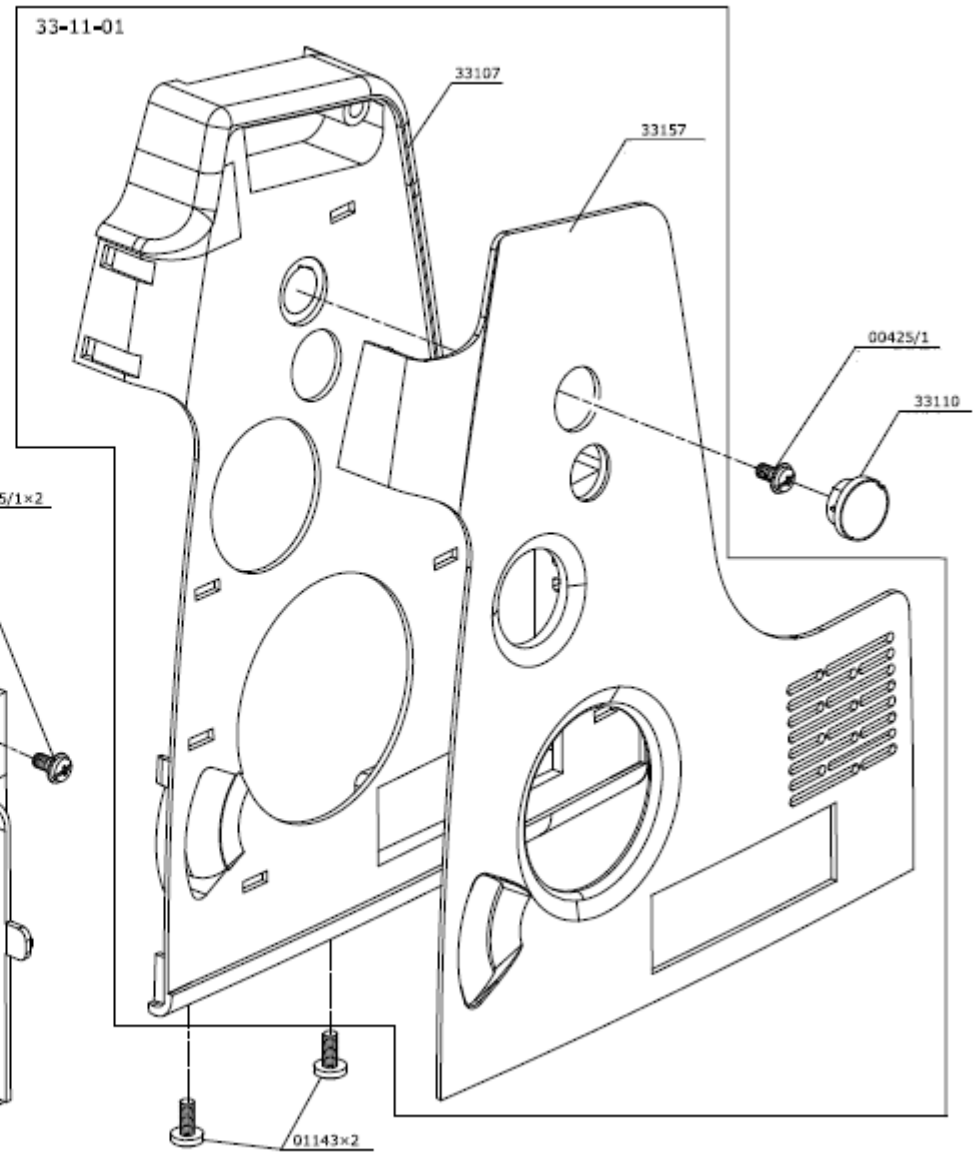
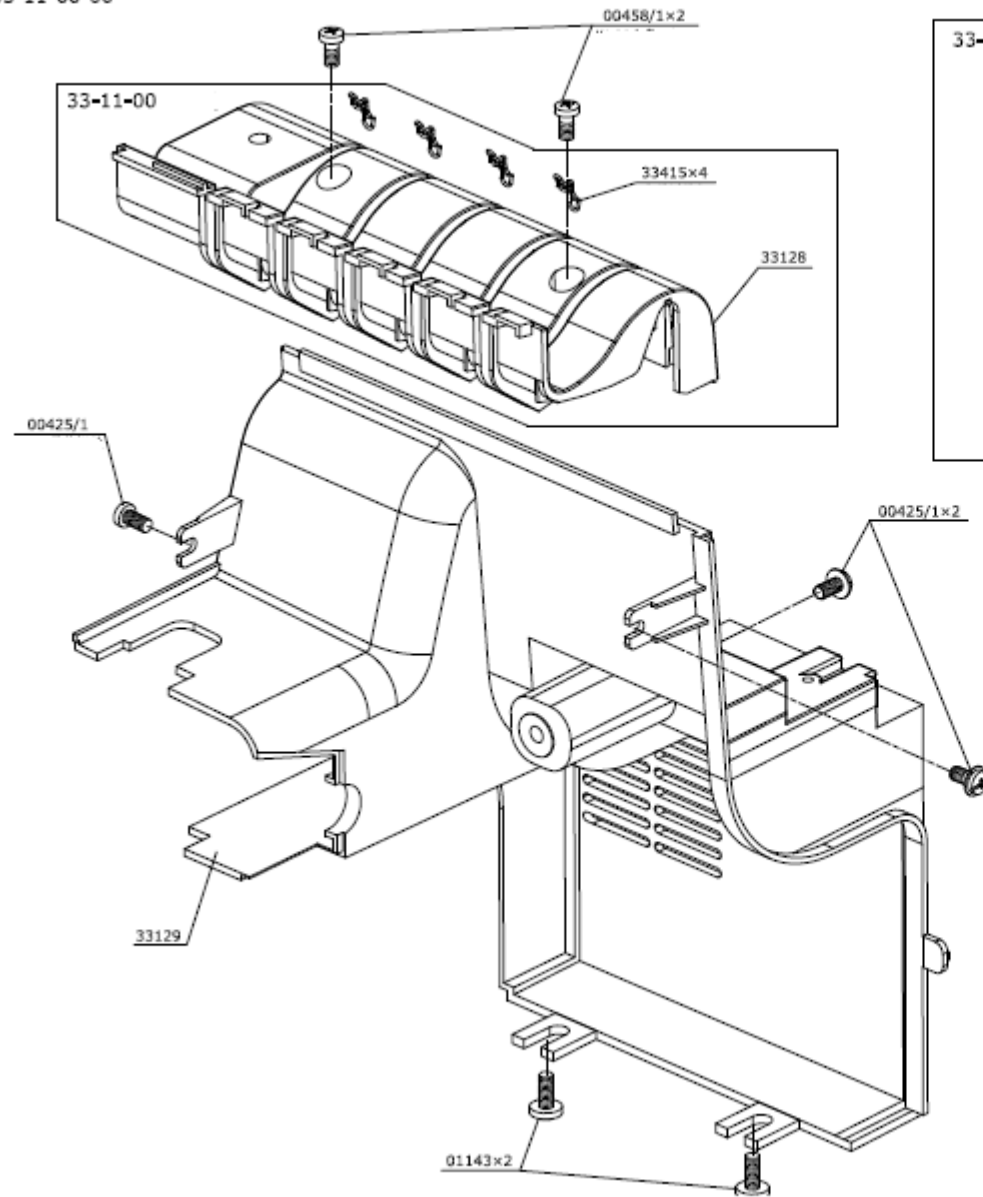




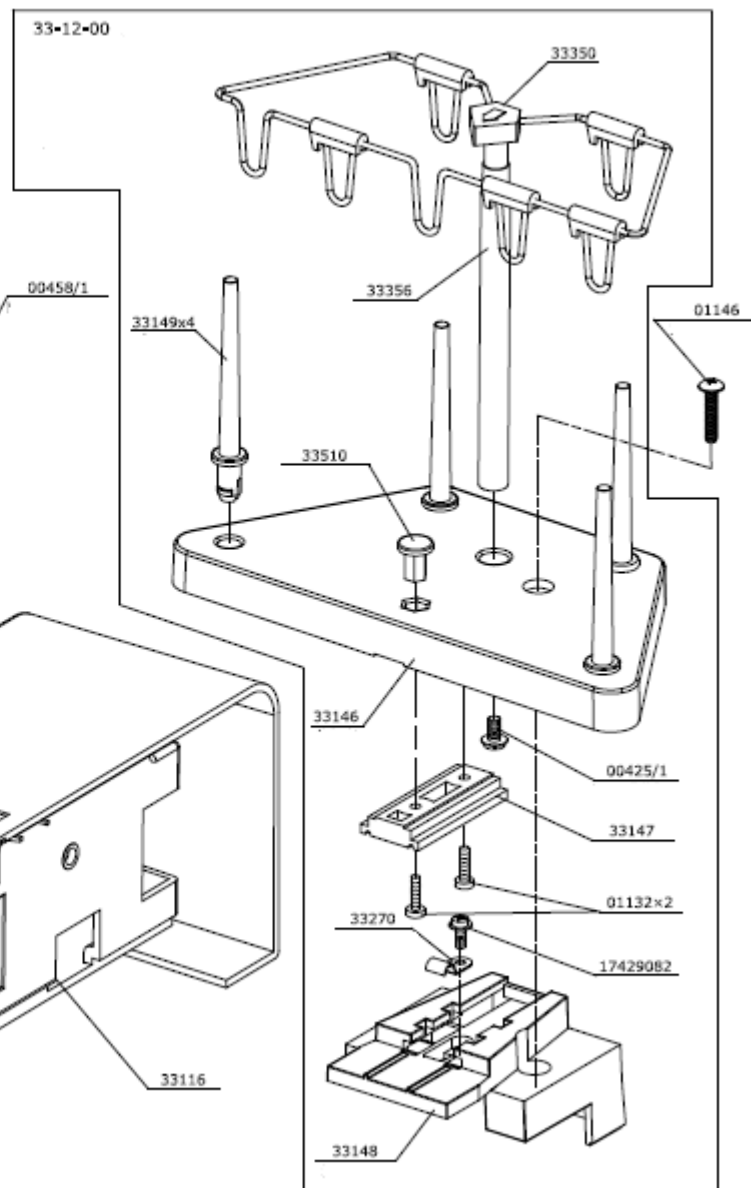
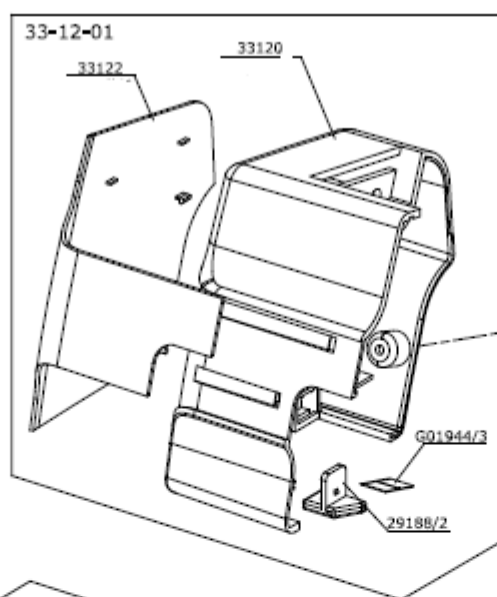
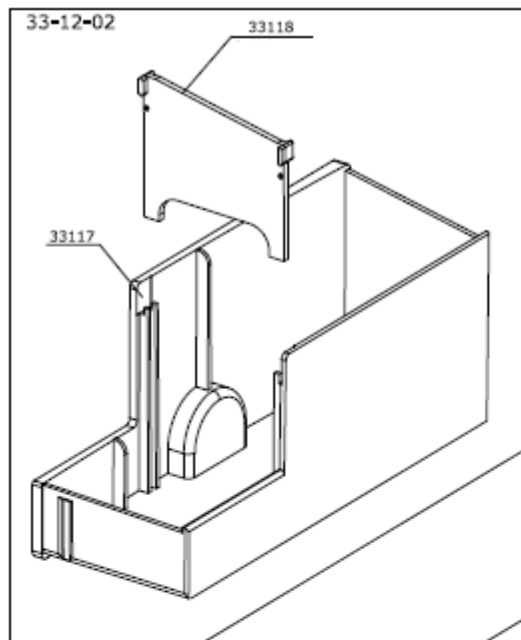
33-10-00-00



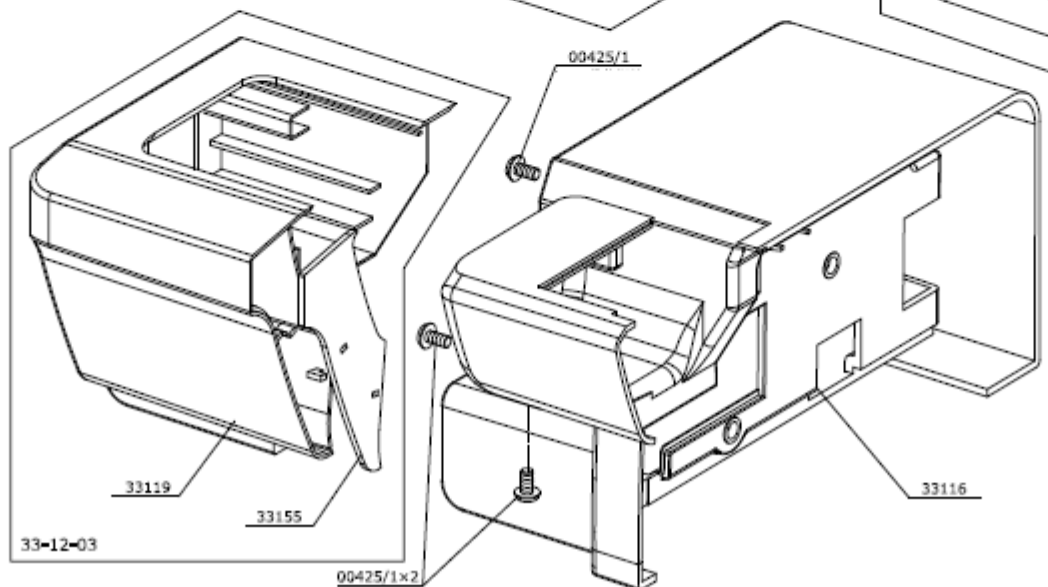
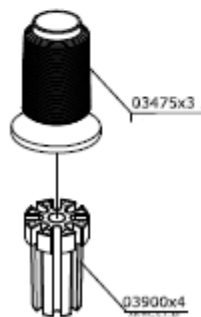
33-11-00-00



33-12-00-00



33-12-10-00



1	00023	E-3 Snap ring	2	06
2	00024	E-4 Snap ring	5	05.10
3	00025	E-5 Snap ring	15	02.03.05.06
4	00026	E-6 Snap ring	2	02
5	00028	φ8 Snap ring	1	03
6	00101	φ10.2 Resin washer (0.5)	4	03
7	00143	φ4*1 Flat washer	3	07.10
8	00144	φ4.1 Flat washer(0.3)	1	03
9	00151	φ5.0 Flat washer	4	10
10	00156	φ5.2 Resin washer(0.25)	2	04
11	00159/1	φ5.1 Wave washer(300)	4	10
12	00160	φ6 Flat washer (0.5)	5	02.05
13	00164	φ6.2 Flat washer(1.2)	4	09
14	00166	φ6.2 Resin washer(0.25)	2	02
15	00169	φ6 Wave washer(0.3)	1	05
16	00170	φ7 Flat washer	4	03.06
17	00186	φ8.1 Resin washer (0.25)	1	04
18	00187	φ8.2 Resin washer (0.5)	4	02.07
19	00250	M2.5X12 Screw	1	08
20	00306	M3X6 Screw	9	02.04.06.07.10
21	00308	M3-L8 Screw	1	08
22	00309	M3 hex screw	1	02
23	00405	M4-L5 Screw (4*5)	9	01.04.05.08.10
24	00408	M4-L8 Screw、 M4*8 Cross Screw	4	01.08
25	00425/1	M4*8 Pan Head screw with washer	14	03.10.11.12
26	00458	M4-L8 Screw	1	04
27	00458/1	M4-L8 Screw	3	11.12
28	00462	M4-L12 Screw	1	06

29	00510	M5-L10 Screw	2	04
30	00513	M5-L12 Hex round screw	1	04
31	00514	M5-L14 Hex round screw	3	03
32	00516	M5X12 Pan head screw	4	09
33	00933	M3-L3 Hex screw	1	04
34	00935	3X5 Stop screw	1	01
35	00944	M4-4 Hex screw	48	02.03.04.05.06.07
36	00945	M4-5 Hex screw	1	07
37	00948	M4-8 Hex screw	1	02
38	01000	Needle fix screw	2	02
39	01001	3000#7 presser foot screw	1	06
40	01132	3.0 Tapping screw	2	12
41	01143	M4-L8(TP) Tapping screw	11	09.10.11
42	01146	M4-L20 Tapping screw	1	12
43	01260	M5 nut	4	09
44	03000	Needles	2	02
45	03401	Big screw driver	1	13
46	03402	Small screw driver	1	13
47	03405	Brush	1	13
48	03424	Needles 3pcs	1	13
49	03475	white Thread	3	12
50	03476	Grey thread	1	12
51	03900	spool holder	4	12
52	04111/4	motor	1	08
53	04131/1	switch box	1	08
54	04300	Foot controller	1	13
55	11006102	M6*10 Hex screw	1	08
56	12003061	M3-L6 Hex screw	1	04

57	12004121	M4X12 Hex round head screw	1	06
58	12452	2.5*6mm polybag	1	13
59	12453	9*13mm polybag	1	13
60	12454/2	23*35mm polybag	1	13
61	12454/3	55*70mm polybag	1	13
62	13005202	M5*20 Slotted pan head screw	4	09
63	13103042	M3*4 Slotted pan head screw	1	01
64	13103052	M3*5 Slotted pan head screw (cross)	3	07
65	16003051	M3x5 Cross pan head screw	2	08
66	17429082	Cross pan head screw w/washerST2.9*8	3	08.12
67	20701	300 Closed Terminal	1	08
68	29188/2	Thread cutter base	1	12
69	30239	Motor pulley cover	1	08
70	30283	Thread Clamp B	4	10
71	30301	Thread Clamp A	4	10
72	30312	Thread Clamp A	4	10
73	30430	Compression Spring(d=0.8)	2	10
74	30470	Tweezers	1	13
75	30605/1	Dust cover	1	13
76	30902	Foot pad	4	09
77	31003051	φ3*0.5 Flat washer	2	07
78	32025051	φ2.5*0.5 block ring	3	05.09
79	33101	Aluminum frame	1	01
80	33107	Right side cover	1	11
81	33108	Presser foot lifter	1	02
82	33109	Differential feed adjusting knob	1	05
83	33110	Small side cover	1	11
84	33111	Bottom cover	1	09

85	33112	Front cover	1	09
86	33113	Overlock protection plate	1	09
87	33114	Waste catcher	1	09
88	33116	Assistance worktable	1	12
89	33117	Accessories box	1	12
90	33118	Separate plate for accessories box	1	12
91	33119	Worktable side cover	1	12
92	33120	Lamp cover	1	12
93	33121	Face cover	1	10
94	33122	Lamp cover plate	1	12
95	33123	DT plate	3	10
96	33124	Tention knob A	4	10
97	33125	Tention knob B	4	10
98	33127	Handle	1	08
99	33128	Top cover	1	11
100	33129	Rear cover	1	11
101	33130	Socket support	1	08
102	33131	Switch Fixing support	1	08
103	33134	Stitch finger fixing plate	1	07
104	33135	Sliding plate hat	1	07
105	33136	Pulley	1	03
106	33137	Pulley cover	1	03
107	33139	Stitch length knob	1	05
108	33140	Micro switch box	1	08
109	33141	Micro switch cover	1	08
110	33142	Micro switch bar	1	08
111	33145	Thread guide fixing plate	1	10
112	33146	Thread Hanger base	1	12

113	33147	Thread hanger base block	1	12
114	33148	Thread hanger fixing base	1	12
115	33149	Spool pin	4	12
116	33151	Motor pulley	1	08
117	33152	Spool disc	4	13
118	33153	Two thread assistance	1	13
119	33154	Waste catcher plate	1	09
120	33155	Worktable protection plate	1	12
121	33157	Side cover plate	1	11
122	33163	Right looper guide base	1	04
123	33164	Right looper Guide block	1	04
124	33169	balance Block	1	03
125	33170	Feeding connecting bar	1	03
126	33171	Feeding cam	1	03
127	33172	Sliding block	1	03
128	33173	Looper connecting bar	1	03
129	33173	Looper connecting bar	1	03
130	33175	Left and Right looper cam	2	03
131	33176	Right looper rocker	1	03
132	33178	Teeth lifter cam	1	03
133	33179	Teeth lifter cam sliding block	1	03
134	33181	Needle bar connecting rod	1	02
135	33182	Presser bar clamp	1	06
136	33183	Main axle connecting bar	1	02
137	33184	Main axle cam	1	03
138	33185	Upper axle adjusting cam	1	02
139	33186	Presser bar guide rack	1	02
140	33187	Moving fork	1	07

141	33188	Moving fork axle ring	1	07
142	33189	Feeding adjusting crank	1	05
143	33191	Main feeding teeth rack	1	06
144	33192	Differential feeding teeth rack	1	06
145	33193	Differential feeding crank	1	06
146	33194	Feeding crank left	1	06
147	33195	Feeding crank right	1	05
148	33196	Differential feeding wrist	1	05
149	33197	Differential connecting bar	1	05
150	33198	Bottom axle front sleeve	1	03
151	33199	Bottom axle rear sleeve	1	03
152	33205	Feeding axle front sleeve	1	05
153	33206	Feeding axle rear sleeve	1	05
154	33207	Differential axle front sleeve	1	05
155	33208	Differential axle rear sleeve	1	05
156	33209	Cutting axle sleeve	1	07
157	33210	Combination Sleeve	1	05
158	33211	Needle bar upper sleeve	1	02
159	33212	Needle bar bottom sleeve	1	02
160	33230	Front cover connecting axle	1	09
161	33233	Right looper connecting axle	1	04
162	33237	Main axle	1	03
163	33238	Stitch length connecting pin	1	03
164	33240	Universal Ball joint screw	2	03
165	33242	Crank Pin for upper axle	1	02
166	33243	Presser bar	1	06
167	33244	Upper axle	1	02
168	33245	Cloth cutting axle	1	07

169	33246	Feeding axle	1	05
170	33247	Differential axle	1	05
171	33248	Feeding Crank Pin	1	06
172	33250	Feeding Crank connecting pin	1	05
173	33251	Feeding wrist connecting pin	1	05
174	33252	Differential feed connecting pin	2	03.05
175	33253	Differential feed connecting fixing pin	1	05
176	33255	Upper axle crank pin	1	02
177	33256	Right looper connecting axle	1	04
178	33257	Teeth lifter pull spring bolt	1	06
179	33258	Differential dowel	1	06
180	33259	Needle bar connecting rod	1	02
181	33260	Screw Sleeve	1	07
182	33264	Adjusting screw (set)	1	07
183	33270	Thread hanger fixing spring washer	1	12
184	33271	Chip stop plate	1	09
185	33275	Looper thread hook	1	10
186	33279	Front cover thread hook	1	10
187	33282	Front cover thread guide	1	10
188	33284	Front cover thread hook(small)	1	10
189	33286	Thread clamp main board	1	10
190	33287	Thread clamp holder	4	10
191	33291	Lamp cover holder	1	08
192	33292	Handle holder	1	01
193	33294	Cutter adjusting plate	1	07
194	33295	Stitch finger	1	07
195	33298	Protection palte	1	01
196	33302	Bottom looper	1	04

197	33305	Upper looper	1	04
198	33306	Upper looper take-up lever	1	04
199	33307	Stitch length connecting bar	1	03
200	33308	Thread take-up lever	1	02
201	33312	Stitch guide plate	1	06
202	33314	Feeding adjusting connecting bar	1	05
203	33317	Stitch length adjusting body	1	05
204	33318	Pressing plate	1	01
205	33319	Differential adjusting holder	1	05
206	33320	Differential adjusting spring	1	05
207	33321	Needle plate	1	01
208	33323	Feeding rock supporting plate	1	06
209	33324	DF holder	1	05
210	33325	DF connecting bar	1	05
211	33326	Differential wrist A	1	05
212	33327	Differential wrist A	1	05
213	33328	Up and down nut	4	10
214	33350	thread hanger	1	12
215	33351	Belt	1	08
216	33352	Cloth cutting adjusting knob	1	07
217	33353	Tention support fixing screw	1	10
218	33355	Screw	1	07
219	33356	Thread hanger telescopic bar	1	12
220	33357	Right looper stop washer	1	04
221	33358	Micro switch	1	08
222	33359	Power switch	1	08
223	33361	Standard presser foot	1	06
224	33362	Presser foot holder	1	06

225	33363	Upper axle crank	1	02
226	33364	Axial retaining ring	1	02
227	33365	Cloth cutting link	1	07
228	33367	Main feeding teeth	1	06
229	33368	Secondary feeding teeth	1	06
230	33370	LED light	1	08
231	33371	Box	1	13
232	33372	Foam	1	13
233	33374	Manual	1	13
234	33375	M5x0.5 hex set screw	1	02
235	33376	Oil Cotton for press Rod	1	06
236	33377	Feeding base	1	05
237	33378	Differential axle retaining ring	1	05
238	33384	Sewing guide rack	1	13
239	33385	Upper cutter	1	07
240	33386	Lower cutter	2	07.13
241	33388	Upper cutter fixing screw	1	07
242	33390	Needle plate screw	2	01
243	33391	Small screw driver	1	13
244	33392	Sealing ring	2	04
245	33398	Pressure foot pressure adjusting nut body	1	06
246	33399	Presser foot pressure adjustment nut insert	1	06
247	33400	Leaf spring	1	09
248	33401	Presser foot positioning spring	1	01
249	33402	Stitch length spring	1	05
250	33403	Adjusting spring	1	07
251	33404	Blade holder assistant spring	1	07
252	33405	Switching pawl Stop spring	1	07

253	33406	Blade holder Adjusting torsion spring	1	07
254	33409	Presser bar Spring	1	06
255	33410	Upper cutter spring	1	07
256	33411	Teeth lifter pull spring	1	06
257	33413	Micro switch press spring	1	08
258	33415	Upper cover thread guide hook	4	11
259	33418	Steel retaining ring	1	03
260	33419	Tension spring	2	10
261	33431	Thread presser Blue	1	12
262	33432	Thread presser Green	2	12
263	33433	Thread presser Yellow	2	12
264	33434	Thread presser Purple	1	12
265	33436	Thread tension knob Blue	1	10
266	33437	Thread tension knob Green	1	10
267	33438	Thread tension knob Yellow	1	10
268	33439	Thread tension knob Purple	1	10
269	33507	Thread tension knob cover plate	1	10
270	33508	Thread tension knob decorative plate	1	10
271	33510	Thread spool cap	1	12
272	33521	Left looper rocker	1	03
273	33522	Needle clamp	1	02
274	33523	Upper looper axle sleeve	1	04
275	33524	Lower looper axle sleeve	1	04
276	33525	Right looper holder	1	04
277	33526	Lower looper holder	1	04
278	33527	Looper holder fixing screw	1	04
279	33533	Feeding connecting bar	1	06
280	33536	Upper looper axle	1	04

281	33537	Upper looper axle	1	04
282	33538	Differential feeding axle	1	06
283	33539	Needle bar	1	02
284	33551	Rear protect needle	1	04
285	33552	Lower looper thread take-up	1	04
286	33554	Protect needle rack	1	01
287	33566	Threading chart	1	10
288	33586	Thread guide	1	02
289	41103181	Elastic Pin ϕ 3*18	2	01
290	G01944/3	Blade	1	12